

# Bourdon Tube Pressure Gauge Model 111.26, Back Pressure Entry Panel Mounting Series With Side Clips

WIKA Data Sheet PM 01.15

## Applications

- Suitable for all gaseous and liquid media that will not obstruct the pressure system or attack copper alloy parts
- For panel mounting
- Pneumatic
- Beer engines

## Special Features

- Reliable and economical
- Design EN 837-1
- Nominal sizes 40, 50 and 63
- Scale ranges up to 0 ... 400 bar



Pressure Gauge Model 111.26

## Description

**Design**  
EN 837-1

**Nominal size**  
40, 50 and 63 mm

**Accuracy class**  
2.5

**Scale ranges**  
0 ... 2.5 to 0 ... 400 bar  
Or other equivalent units of pressure or vacuum.

**Working pressure**  
Steady:  $\frac{3}{4}$  of full scale range  
Fluctuating:  $\frac{2}{3}$  of full scale range  
Short time: full scale value

**Operating Temperature**  
Ambient: -40 ... +60 °C  
Medium: +60 °C maximum

**Temperature effect**  
When temperature of the pressure element deviates from reference temperature (+20 °C):  
Max 0,4 %/10 K of the span.

### Pressure connection

Material: Cu-alloy  
Lower mount (LM)  
NS 40: G  $\frac{1}{8}$  B, 14 mm flats  
NS 50, 63: G  $\frac{1}{4}$  B, 14 mm flats

### Pressure element

Material: Cu-alloy  
 $\leq 60$  bar: C-type  
 $> 60$  bar: helical type

### Movement

Cu-alloy

### Dial

White plastic, with pointer stop pin  
Black lettering

### Pointer

Black plastic

## Case

Black plastic with spring clips

## Window

Crystal-clear plastic, snap fit

## Bezel ring

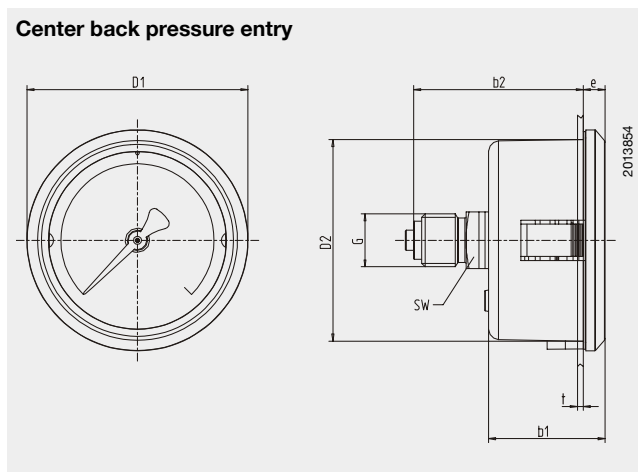
Triangular bezel, black plastic

## Options

- Accuracy class 1,6
- Triangular bezel chromium-plated
- Case with eccentric ring at the bottom

## Dimensions in mm

### Standard versions



NS	Dimensions in mm								Panel cut-out		Weight in kg
	$b_1 \pm 0,5$	$B_2 \pm 1$	$D_1$	$D_2$	G	SW	e	$\emptyset$	thickness $t_{min}$	thickness $t_{max}$	
40	29	43.5	44	40	G 1/8 B	14	5.5	40.5	1.0	2.5	0.06
50	29	47.5	55	50	G 1/4 B	14	5.5	50.5	1.0	2.5	0.07
63	29	47.5	68	63	G 1/4 B	14	5.5	63.5	1.0	2.5	0.08

Standard pressure entry with parallel thread and sealing to EN 837-1 / 7.3

## Ordering information

Pressure gauge model / Nominal size / Scale range / Size of connection / Optional extras required

Specifications and dimensions given in this leaflet represent the state of engineering at the time of printing. Modifications may take place and materials specified may be replaced by others without prior notice.



**WIKAL**  
**WIKAL Alexander Wiegand GmbH & Co. KG**  
Alexander-Wiegand-Straße 30  
63911 Klingenberg/Germany  
Phone (+49) 93 72/132-0  
Telefax (+49) 93 72/132-406  
E-Mail info@wika.de  
www.wika.de